



## FEATURES

- » LTE
  - CAT 1: 2/4/5/17
  - CAT 1: 4/13
- » EXTERNAL MOUNTED
- » PEG™ SCRIPTING
- » PULS™ DEVICE MANAGEMENT
- » IP67 ENCLOSURE
- » 3-AXIS ACCELEROMETER
- » 5700 mAh
- » BUILT-IN MEMORY
- » INTERNAL ANTENNAS

## Benefits:

- Mount & Track
- Weatherproof Case
- 30 Sec Intervals (in motion)
- 6 Hour Intervals (no motion)
- 5,000 Messages Storage
- Over-the-Air Updates

## MiFleet Asset Tracking:

### CalAmp TTU-730 | LTE

The TTU-730™ enhanced with LTE Cat 1, is a battery operated asset tracking device designed for multi year deployments. PEG™ intelligent capabilities, enable proven performance for extended life. Weatherproof design incorporating internal antennas simplified installation making it best suited for unpowered assets in extreme and rugged environments.



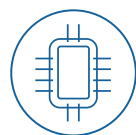
### IP67 Waterproof

This device can truly hold up against the elements with it's **IP67 rating** and ability to be submerged within 1 meter of water.



### Unpowered & Long-term

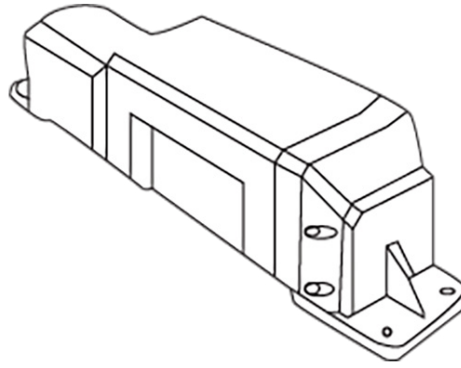
This device has the ability to **track & trace unpowered assets for long periods of time**. Never lose track of your assets.



### Customized Scripting

**PEG™ Scripting for customized conditions** to change reporting intervals based on specific needs.





## CELLULAR/NETWORK

### North American Variant I

LTE Cat 1	1900 (B2)/AWS 1700 (B4)/850 (B5)/700 (B17) MHz
HSPA/UMTS	850 (V)/1900 (II) MHz

### North American Variant II

LTE Cat 1	AWS 1700 (B4)/700 (B13) MHz
-----------	-----------------------------

## DATA SUPPORT

SMS, UDP Packet Data

## SATELLITE LOCATION (GNSS)

Constellation Support	GPS, GLONASS, SBAS Engine (WAAS, EGNOS, MSAS, GAGAN)
Channels	55 Channel
Tracking Sensitivity	-167 dBm
Acquisition Sensitivity	-157 dBm -148 dBm (cold start)
Location Accuracy	~2.0m CEP Open Sky (SBAS 24 hours static)
Location Update Rate	1 Hz
AGPS Location Assistance Capable	

## DEVICE MANAGEMENT

PULS™ Monitor, manage, upgrade firmware, configure and troubleshoot devices remotely.

## EMBEDDED INTELLIGENCE ENGINE

PEG™	Behavioral scripting (8-bit support)
Accelerometer	Built-in, triple-axis (mounting sensing, tilt detection)
Geo-fences	10 built-in
Buffered Messages	2000

## ELECTRICAL

Operating voltage	3.6V Internal Battery
Power Consumption	Typical 30uA @ 3.6V (hibernate) Typical 50uA @ 3.6V (deep sleep) Typical 50mA @ 3.6V (active GPS tracking only)

## BATTERY PACK

Battery Capacity	Up to 57 Ah
Battery Technology	Lithium Primary
Battery Voltage	3.6V

## ENVIRONMENTAL

Temperature	-30° to + 65° C (operating tethered)
Humidity	95% RH @ 50° C (non-condensing)
Shock and Vibration	U.S. Military Standards 202G 810F, SAE J1455
ESD	IEC 61000-4-2 (4KV test)
Ingress Protection Rating	IP67

## CONNECTORS & SIM ACCESS

GPS Antenna	Internal
Cellular Antenna	Internal
SIM Access	Internal (2FF SIM)

## PRODUCT OPTIONS

CalAmp Telematics Cloud API

## PHYSICAL/DESIGN

Dimensions	9.90 x 2.35 x 2.45" (251 x 60 x 62 mm)
Weight	23.2 oz. (658 g)

## CERTIFICATIONS

FCC, IC, PTCRB, RoHS