



FEATURES

- » 3G
 - HSPA: 900/800/1700/1900/2100
- » EXTERNAL MOUNTED
- » PEG™ SCRIPTING
- » PULS™ DEVICE MANAGEMENT
- » IP67 ENCLOSURE
- » 3-AXIS ACCELEROMETER
- » 5700 mAh
- » BUILT-IN MEMORY
- » INTERNAL ANTENNAS

Benefits:

- Mount & Track
- IP67 Weatherproof
- 30 Sec Intervals (in motion)
- 6 Hour Intervals (no motion)
- 5,000 Messages Cycle Storage
- Over-the-Air Updates

MiFleet Asset Tracking:

CalAmp TTU-720 | 3G

The TTU-720™ is designed to support multi-year deployments using the PEG™ intelligence engine which enables extended life performance to reliably deliver asset status. Best suited for unpowered assets in extreme and rugged environments, this asset tracker features a durable weatherproof casing and internal antennas for simple installation.



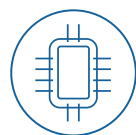
IP67 Waterproof

This device can truly hold up against the elements with its **IP67 rating** and ability to be submerged within 1 meter of water.



Unpowered & Long-term

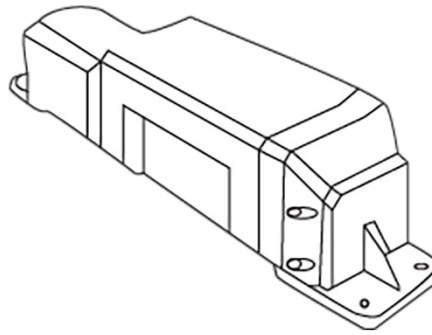
This device has the ability to **track & trace unpowered assets for long periods of time**. Never lose track of your assets.



Customized Scripting

PEG™ Scripting for customized conditions to change reporting intervals based on specific needs.





CELLULAR/NETWORK

Global Variant I HSPA/UMTS	900 (VIII)/800 (VI)/850 (V)/1700 (IV)/1900 (II)/2100 (I) MHz
Global Variant II GSM/GPRS	850/900/1800/1900 MHz

DATA SUPPORT

SMS, UDP Packet Data

SATELLITE LOCATION (GNSS)

Constellation Support	Hybrid GPS, GLONASS, SBAS Engine (WAAS, EGNOS, MSAS, GAGAN)
Channels	50 Channel
Tracking Sensitivity	-162 dBm
Acquisition Sensitivity	-147 dBm
Location Accuracy	~2.0m CEP Open Sky (GPS SBAS 24 hours static)

AGPS Location Assistance Capable

CERTIFICATIONS

Industry Certifications FCC, CE, IC, PTCRB, RoHS

DEVICE MANAGEMENT

PULS™ Monitor, manage, upgrade firmware, configure and troubleshoot devices remotely

EMBEDDED INTELLIGENCE ENGINE

PEG™ Behavioral scripting (8-bit support)

ELECTRICAL

Operating voltage	3.6V Internal Battery
Power Consumption	Typical <100µA @ 12V (deep sleep) Typical 70mA @ 12V (active standby)

BATTERY PACK

Battery Capacity	Up to 57 Ah
Battery Technology	Lithium Primary

ENVIRONMENTAL

Temperature	-30° to + 75° C (operating tethered) -40° to + 85° C (operating tethered)
Humidity	95% RH @ 50° C (non-condensing)
Shock and Vibration	U.S. Military Standards 202G 810F,
ESD	SAE J1455
Ingress Protection Rating	IP67

CONNECTORS & SIM ACCESS

GPS Antenna	Internal
Cellular Antenna	Internal
SIM Access	Internal (2FF SIM)

PRODUCT OPTIONS

CalAmp Telematics Cloud API

PHYSICAL/DESIGN

Dimensions	9.90 x 2.35 x 2.45" (251 x 60 x 62 mm)
Weight	32 oz. (907g)